



**EVOTECH**®  
P E R F O R M A N C E

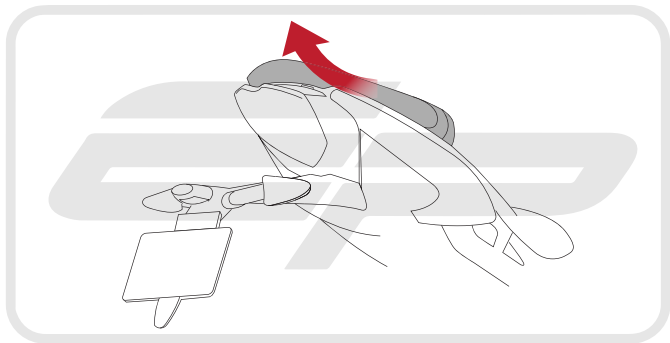
**Installation Instructions**

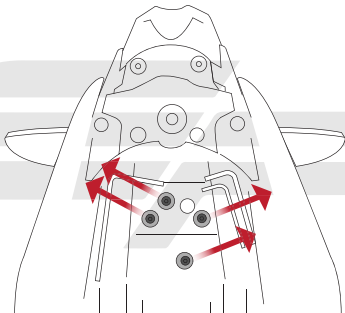
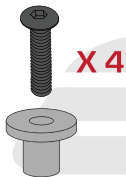
## TRIUMPH STREET TRIPLE 2013 TRIUMPH DAYTONA 675 2013 TAIL TIDY

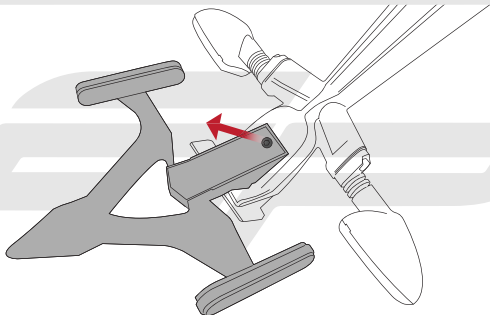
Product Reference - 10833

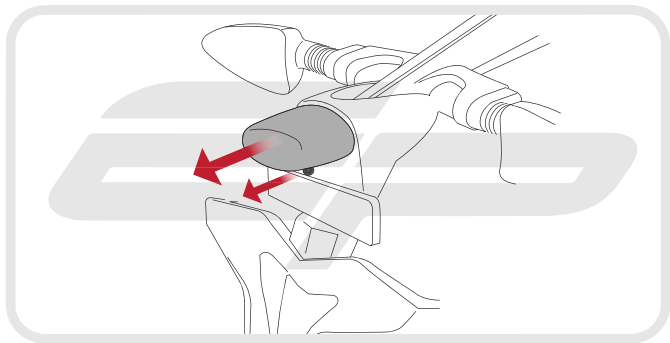
### Kit Contents

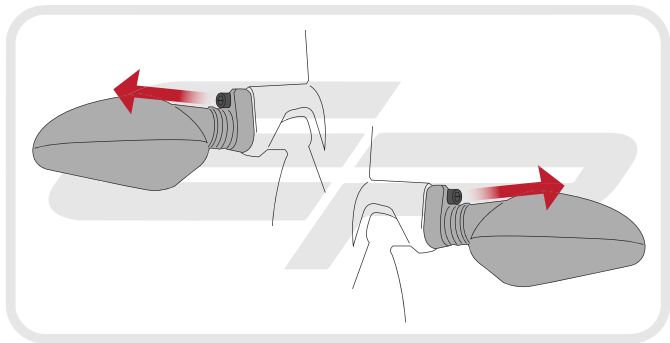
- |                                |                                     |
|--------------------------------|-------------------------------------|
| <b>A</b> 1 x Plate Bracket     | <b>I</b> 2 x Plastic Screws         |
| <b>B</b> 1 x LHS Bracket       | <b>J</b> 2 x Plastic Nuts           |
| <b>C</b> 1 x RHS Bracket       | <b>K</b> 2 x Indicator Bosses       |
| <b>D</b> 1 x Base Plate        | <b>L</b> 2 x Pair Bullet Connectors |
| <b>E</b> 1 x LED Light Unit    | <b>M</b> 2 x M6 x 16 Cap Heads      |
| <b>F</b> 1 x Reflector Bracket | <b>N</b> 3 x Trunions               |
| <b>G</b> 1 x Reflector         | <b>O</b> 4 x Spacers                |
| <b>H</b> 1 x C'sunk M6 x 16    | <b>P</b> 8 x M6 x 16 black Screws   |

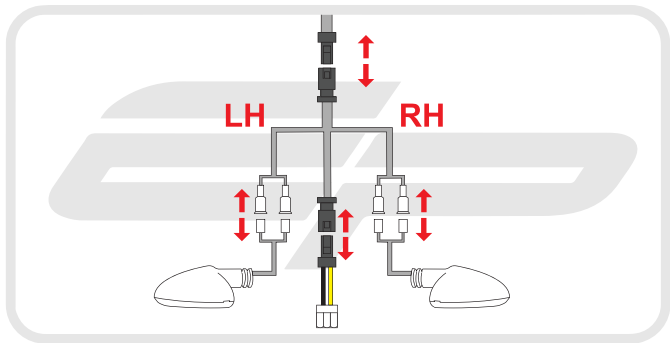




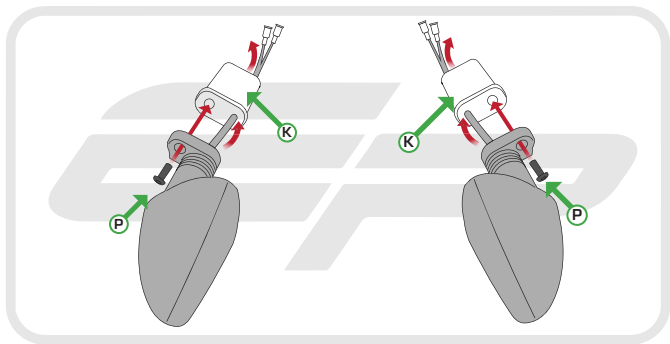


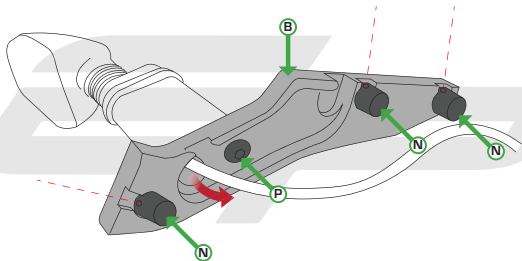


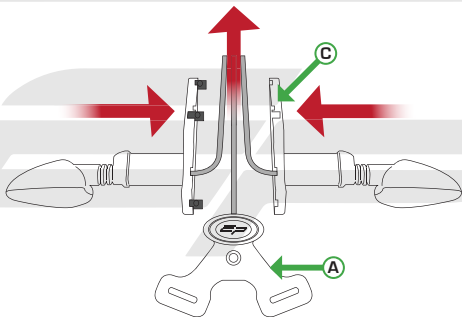


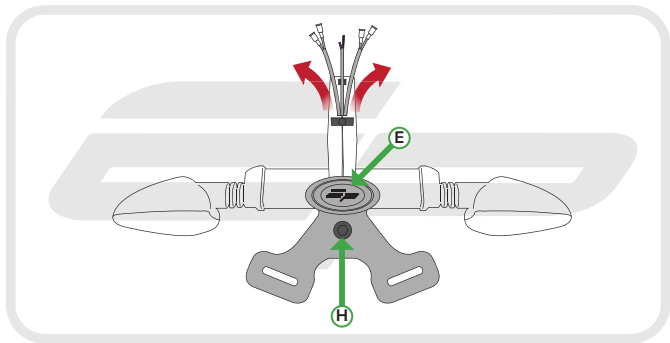


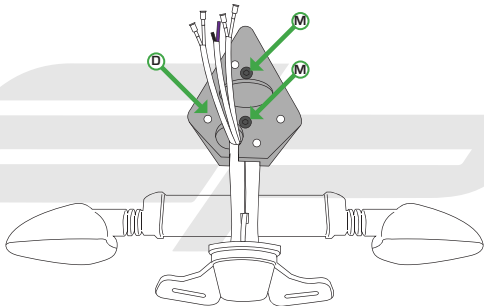


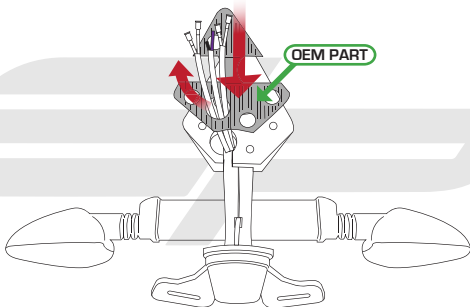


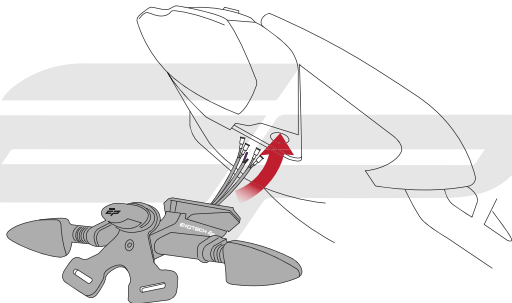


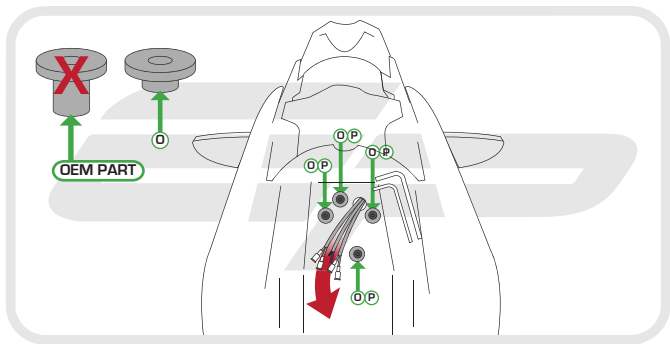




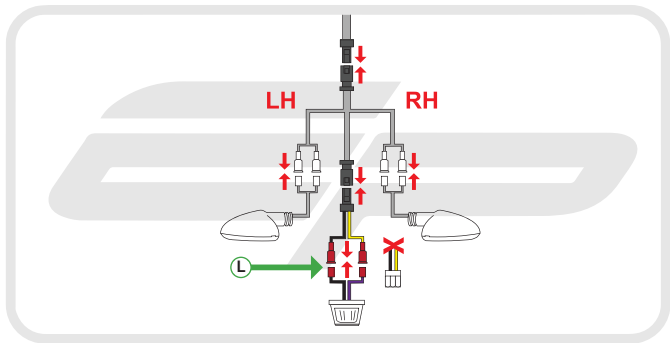














**EVOTECH**®  
P E R F O R M A N C E

[evotech-performance.com](http://evotech-performance.com)